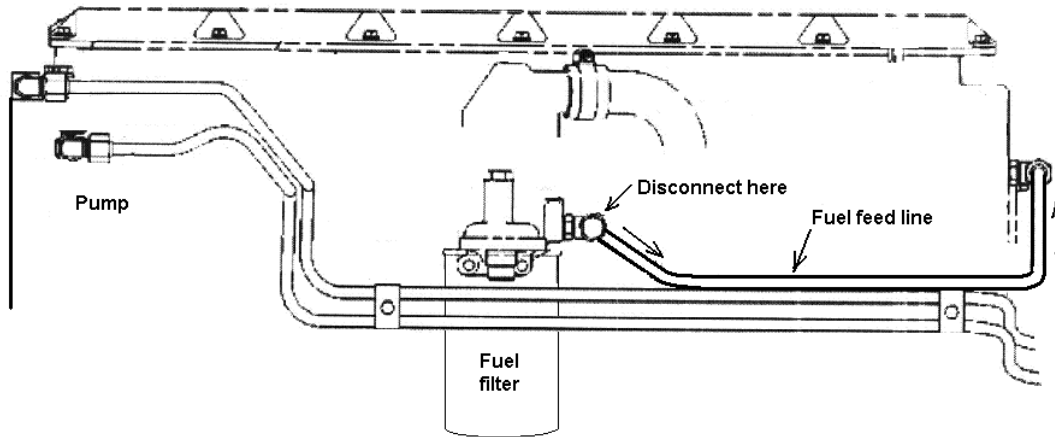
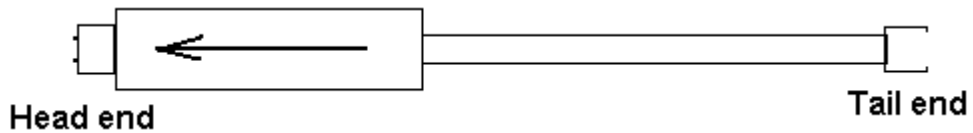


# Cat 3116

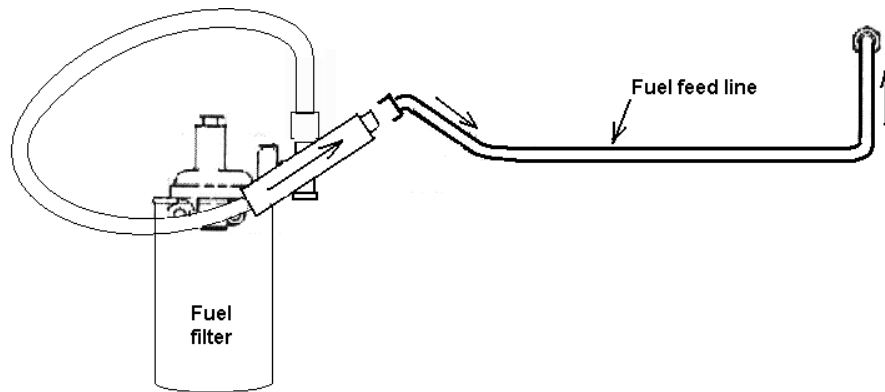
## Original Engine Fuel Line Setup



## Tadger Kit



## Installation



1. Disconnect fuel feed line at filter base.
2. The elbow to which fuel feed line was connected . . . rotate it so it points upward (or downward if not enough space for Tadger kit), so that tail can be connected.
3. Bend end of fuel feed line slightly upward and to the right.
4. Connect head end of Tadger to end of fuel feed line.
5. Attach tail end of Tadger kit to filter base.
6. Tighten all connections.
7. Tie off in several places using heavy cable ties to minimize movement of Tadger.
8. If metal on metal, wrap the Tadger kit with loom to avoid wear and damage.

**Bill Tallman**

**Tadger Installation Team 519-643-8255 cell**

