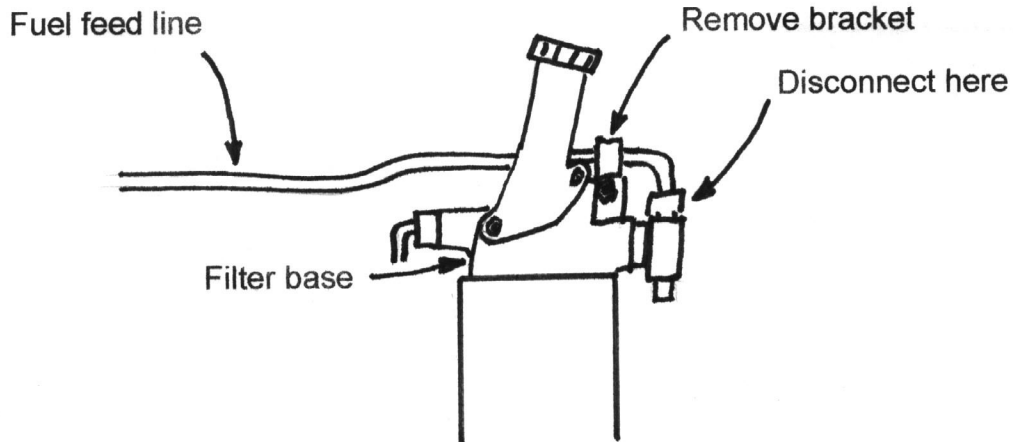


# Cat 3126

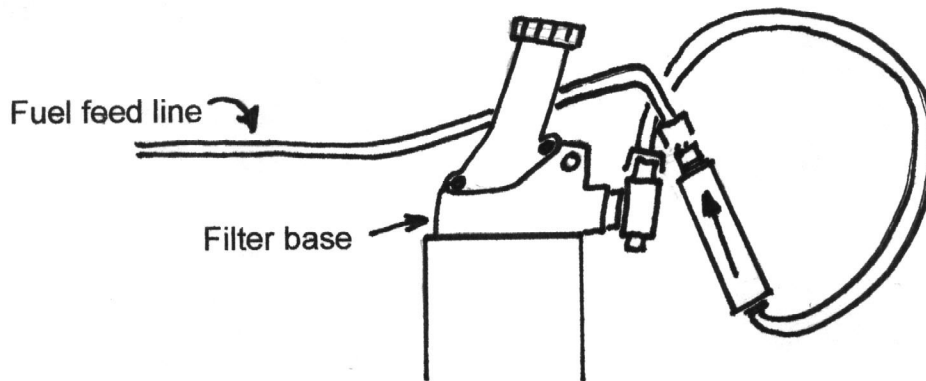
## Original Engine Fuel Line Setup



## Tadger Kit



## Installation



1. Disconnect fuel feed line at filter base.
2. Undo bolt and remove clamp holding fuel feed line to filter base.
3. Bend end of fuel feed line slightly upward and to the right.
4. Connect head end of Tadger to end of fuel feed line.
5. Attach tail end of Tadger kit to filter base.
6. Tighten all connections.
7. Tie off in several places using heavy cable ties to minimize movement of Tadger.
8. If metal on metal, wrap the Tadger kit with loom to avoid wear and damage.

**Bill Tallman**

**Tadger Installation Team 519-643-8255 cell**



